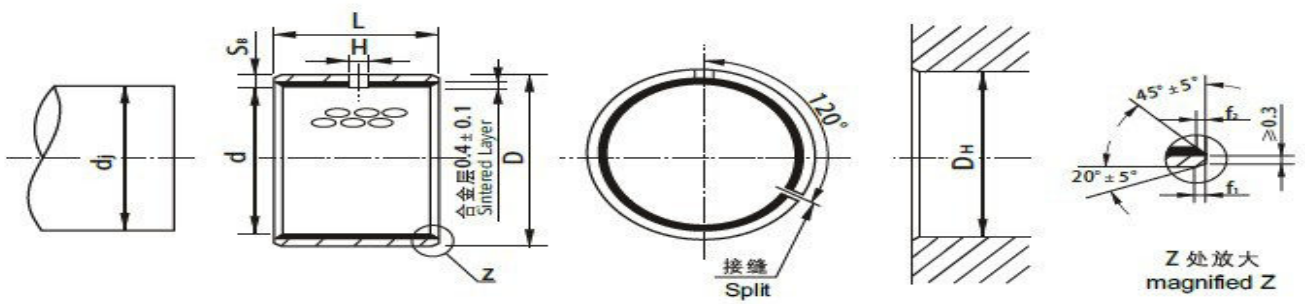
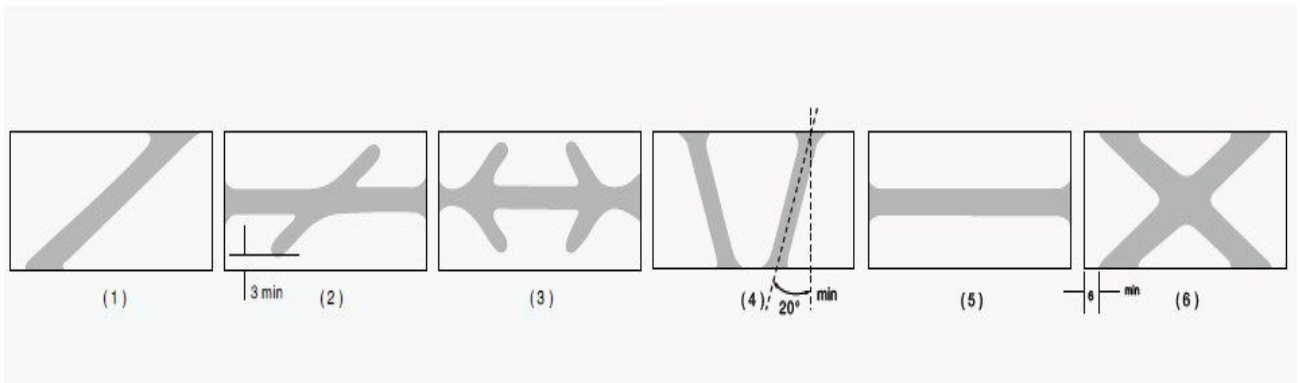


BIM ISO 3547 (DIN1494) 标准公制轴承



油槽形式 Oil Batch Formation



Unit:mm

型号 Parts No.	相配轴径 Shaft dia ødj	相配座孔 Housing øDH	压装后理论内径 Installed Bushing I. Død	高度 High L	外径 O. D. øD	壁厚 Wall Thickness S _B	油孔 Oil hole øH
BIM-1010	10h8 ⁰ _{-0.022}	"	10 ^{+0.145} _{+0.010}	10±0.25	12 ^{+0.065} _{+0.030}	1 ^{-0.005} _{-0.065}	4
BIM-1015	"	"	"	15±0.25	"	"	"
BIM-1020	"	"	"	20±0.25	"	"	"
BIM-1210	12h8 ⁰ _{-0.027}	"	12 ^{+0.148} _{+0.010}	10±0.25	14 ^{+0.065} _{+0.030}	"	"
BIM-1215	"	"	"	15±0.25	"	"	"

BIM-1220	"	"	"	20±0.25	"	"	"
BIM-1225	"	"	"	25±0.25	"	"	"
BIM-1410	14h8 ⁰ _{-0.027}	16H7 ^{+0.018} ₀	14 ^{+0.148} _{+0.010}	10±0.25	16 ^{+0.065} _{+0.030}	"	"
BIM-1215	"	"	"	15±0.25	"	"	"
BIM-1420	"	"	"	20±0.25	"	"	"
BIM-1425	"	"	"	25±0.25	"	"	"
BIM-1510	15h8 ⁰ _{-0.027}	17H7 ^{+0.018} ₀	15 ^{+0.148} _{+0.010}	10±0.25	17 ^{+0.065} _{+0.030}	1 ^{-0.005} _{-0.065}	"
BIM-1515	"	"	"	15±0.25	"	"	"
BIM-1520	"	"	"	20±0.25	"	"	"
BIM-1525	"	"	"	25±0.25	"	"	"
BIM-1610	16h8 ⁰ _{-0.027}	18H7 ^{+0.018} ₀	16 ^{+0.148} _{+0.010}	10±0.25	18 ^{+0.065} _{+0.030}	1 ^{-0.005} _{-0.065}	"
BIM-1615	"	"	"	15±0.25	"	"	"
BIM-1620	"	"	"	20±0.25	"	"	"
BIM-1625	"	"	"	25±0.25	"	"	"
BIM-1815	18h8 ⁰ _{-0.027}	"	18 ^{+0.151} _{+0.010}	15±0.25	20 ^{+0.075} _{+0.035}	1 ^{-0.005} _{-0.065}	"
BIM-1820	"	"	"	20±0.25	"	"	"
BIM-1825	"	"	"	25±0.25	"	"	"
BIM-2010	20h8 ⁰ _{-0.033}	"	"	10±0.25	23 ^{+0.075} _{+0.035}	1.5 ^{-0.01} _{-0.07}	"
BIM-2015	"	"	"	15±0.25	"	"	"
BIM-2020	"	"	"	20±0.25	"	"	"
BIM-2025	"	"	"	25±0.25	"	"	"
BIM-2030	"	"	"	30±0.25	"	"	"
BIM-2215	22h8 ⁰ _{-0.033}	25H7 ^{+0.021} ₀	22 ^{+0.161} _{+0.020}	15±0.25	25 ^{+0.075} _{+0.035}	1.5 ^{-0.01} _{-0.07}	"
BIM-2220	"	"	"	20±0.25	"	"	6
BIM-2225	"	"	"	25±0.25	"	"	"
BIM-2230	"	"	"	30±0.25	"	"	"
BIM-2515	25h8 ⁰ _{-0.033}	28H7 ^{+0.021} ₀	25 ^{+0.161} _{+0.020}	15±0.25	28 ^{+0.075} _{+0.035}	"	"
BIM-2520	"	"	"	20±0.25	"	"	"
BIM-2525	"	"	"	25±0.25	"	"	"
BIM-2530	"	"	"	30±0.25	"	"	"
BIM-2815	28h8 ⁰ _{-0.033}	32H7 ^{+0.025} ₀	28 ^{+0.185} _{+0.040}	15±0.25	32 ^{+0.085} _{+0.045}	2 ^{-0.02} _{-0.08}	"

BIM-2820	"	"	"	20±0.25	"	"	"
BIM-2825	"	"	"	25±0.25	"	"	"
BIM-2830	"	"	"	30±0.25	"	"	"
BIM-3015	30h8 ⁰ _{-0.033}	34H7 ^{+0.025} ₀	30 ^{+0.185} _{+0.040}	15±0.25	34 ^{+0.085} _{+0.045}	"	"
BIM-3020	"	"	"	20±0.25	"	"	"
BIM-3025	"	"	"	25±0.25	"	"	"
BIM-3030	"	"	"	30±0.25	"	"	"
BIM-3040	"	"	"	40±0.25	"	"	"
BIM-3220	32h8 ⁰ _{-0.039}	36H7 ^{+0.025} ₀	32 ^{+0.185} _{+0.040}	20±0.25	36 ^{+0.085} _{+0.045}	"	"
BIM-3230	"	"	"	30±0.25	"	"	"
BIM-3240	"	"	"	40±0.25	"	"	"
BIM-3520	35h8 ⁰ _{-0.039}	39H7 ^{+0.025} ₀	35 ^{+0.185} _{+0.040}	20±0.25	39 ^{+0.085} _{+0.045}	"	"
BIM-3530	"	"	"	30±0.25	"	"	"
BIM-3540	"	"	"	40±0.25	"	"	"
BIM-3550	"	"	"	50±0.25	"	"	"
BIM-4020	40h8 ⁰ _{-0.039}	44H7 ^{+0.025} ₀	40 ^{+0.185} _{+0.040}	20±0.25	44 ^{+0.085} _{+0.045}	"	8
BIM-4030	"	"	"	30±0.25	"	"	"
BIM-4040	"	"	"	40±0.25	"	"	"
BIM-4050	"	"	"	50±0.25	"	"	"
BIM-4530	45h8 ⁰ _{-0.039}	50H7 ^{+0.025} ₀	45 ^{+0.225} _{+0.080}	30±0.25	50 ^{+0.085} _{+0.045}	2.5 ^{-0.04} _{-0.10}	"
BIM-4540	"	"	"	40±0.25	"	"	"
BIM-4545	"	"	"	45±0.25	"	"	"
BIM-4550	"	"	"	50±0.25	"	"	"